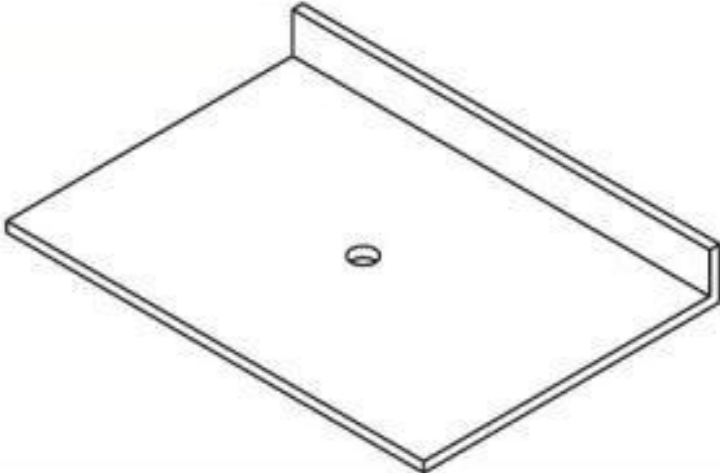
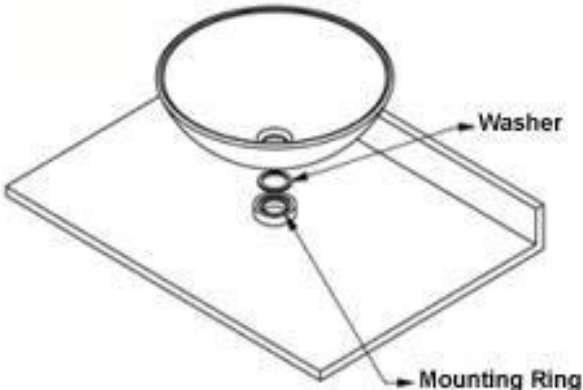
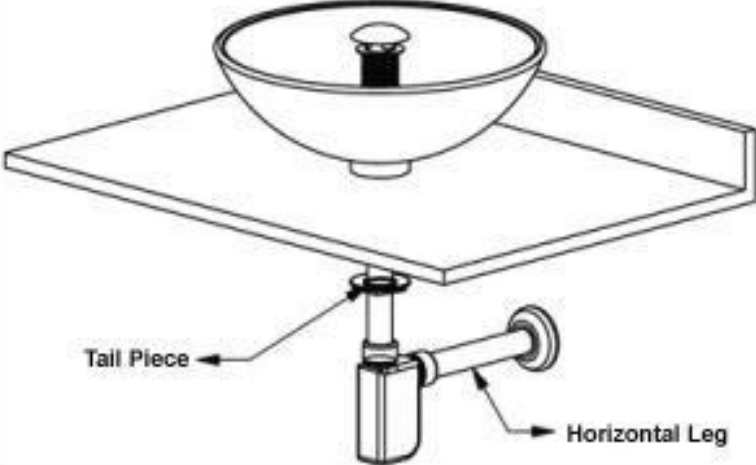


Please read and follow directions thoroughly. **Any damage resulting from improper installation will affect the product warranty.**

Materials Needed:

- Putty Knife
- Adjustable or Pipe Wrench
- Tape Measure
- Drill
- Plumber's Putty or Caulking
- Tubing Cutter or Hacksaw
- Screw Driver

Above Counter Vessel Sink Installation

<p>Step One</p> <p>Decide on a placement for the vessel sinks and faucets. Using a template, mark the vanity table for drain and screw holes. Drill a 1-3/4" hole on the countertop. Provide proper clearance under the countertop for faucet supply lines, drain assembly and structural parts of the cabinet (2" minimum between sink's top edge and fitting centerline).</p> <p>* Please note countertop is shown for reference only</p>	
 <p>Washer</p> <p>Mounting Ring</p>	<p>Step 2</p> <p>Place the Mounting Ring, Washer and Glass Vessel Bowl as shown</p>
<p>Step 3</p> <p>Connect trap to drain assembly (as shown), hand tighten to check alignment. It may be necessary to cut off part of the tailpiece or part of the horizontal leg in order to make everything fits properly with existing plumbing.</p>	 <p>Tail Piece</p> <p>Horizontal Leg</p>